

T-Angle Connector Clamps

Aluminum, Multi Part Assembly

SPECIFICATION

Identification No.

No. **2**: With 4 stainless steel socket cap screws DIN 912

Aluminum

Powder coated

Black, RAL 9005, textured finish **SW**

Plain finish, matte shot-blasted **BL**

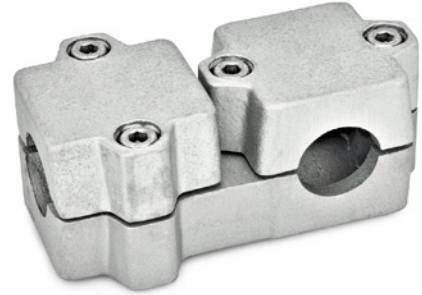
Socket cap screws DIN 912

Stainless steel AISI 304

Hex nuts DIN 985

Stainless steel AISI 304

Self-locking via polyamide ring



INFORMATION

The clamping bores of T-angle connector clamps GN 194 are not machined and designed for construction tubes GN 990 (see page 1902) or DIN 2391, DIN 2395 and DIN 2462.

The versions with square bores are also suitable for use with **profile systems**.

At the screw locations **z**, the socket cap screws reduce the bore cross-section for clamping.

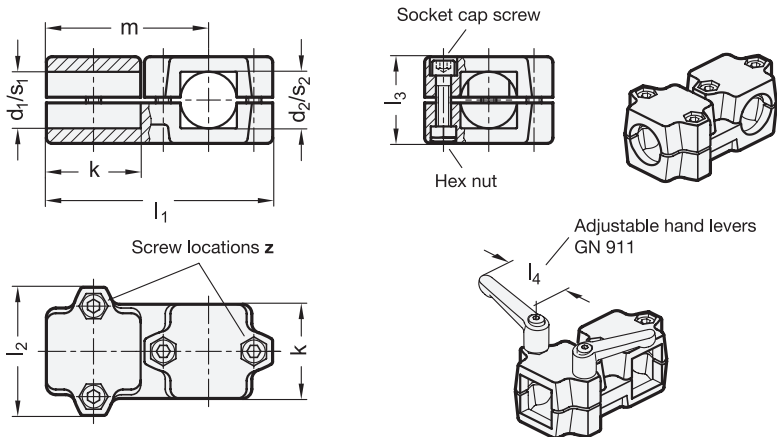
For clamping without tools, the socket cap screws can be replaced by the adjustable hand levers GN 911 (see page 1874) listed in the table as accessories.

ACCESSORY

- Adjustable Hand Levers GN 911 (see page 1874)

TECHNICAL INFORMATION

- Stainless Steel Characteristics (see page A26)



*Complete with

SW
RAL9005

BL
Plain finish

GN 194-B-B

Description	d ₁ Bore	d ₂ Bore	k Clamping length	l ₁	l ₂	l ₃	m	z Screw locations	Accessory Recom. hand lever GN 911 for z l ₄	⚖️
GN 194-B20-B20-50-2-*	B 20	B 20	50	120	68	46	86	M8-35	63 78	423
GN 194-B25-B25-50-2-*	B 25	B 25	50	120	68	46	86	M8-35	63 78	412
GN 194-B30-B30-50-2-*	B 30	B 30	50	120	68	46	86	M8-35	63 78	399
GN 194-B30-B30-60-2-*	B 30	B 30	60	141	79	59	101.5	M8-50	63 78	773
GN 194-B32-B32-60-2-*	B 32	B 32	60	141	79	59	101.5	M8-50	63 78	770
GN 194-B35-B35-60-2-*	B 35	B 35	60	141	79	59	101.5	M8-50	63 78	752
GN 194-B40-B40-60-2-*	B 40	B 40	60	141	79	59	101.5	M8-50	63 78	699
GN 194-B40-B40-76-2-*	B 40	B 40	76	176	98	70	127	M10-60	78 92	1123
GN 194-B42-B42-76-2-*	B 42	B 42	76	176	98	70	127	M10-60	78 92	1100
GN 194-B45-B45-76-2-*	B 45	B 45	76	176	98	70	127	M10-60	78 92	1080
GN 194-B48-B48-76-2-*	B 48	B 48	76	176	98	70	127	M10-60	78 92	1055
GN 194-B50-B50-76-2-*	B 50	B 50	76	176	98	70	127	M10-60	78 92	1028

GN 194-B-S

Description	d ₁ Bore	s ₂ Square	k Clamping length	l ₁	l ₂	l ₃	m	z Screw locations	Accessory Recom. hand lever GN 911 for z l ₄	⚖️
GN 194-B20-V20-50-2-*	B 20	V 20	50	120	68	46	86	M8-35	63 78	423
GN 194-B25-V25-50-2-*	B 25	V 25	50	120	68	46	86	M8-35	63 78	395
GN 194-B30-V30-50-2-*	B 30	V 30	50	120	68	46	86	M8-35	63 78	342
GN 194-B30-V30-60-2-*	B 30	V 30	60	141	79	59	101.5	M8-50	63 78	760
GN 194-B35-V35-60-2-*	B 35	V 35	60	141	79	59	101.5	M8-50	63 78	731
GN 194-B40-V40-60-2-*	B 40	V 40	60	141	79	59	101.5	M8-50	63 78	700
GN 194-B40-V40-76-2-*	B 40	V 40	76	176	98	70	127	M10-60	78 92	1110
GN 194-B45-V45-76-2-*	B 45	V 45	76	176	98	70	127	M10-60	78 92	1065
GN 194-B50-V50-76-2-*	B 50	V 50	76	176	98	70	127	M10-60	78 92	1015

GN 194-S-B

Description	s ₁ Square	d ₂ Bore	k Clamping length	l ₁	l ₂	l ₃	m	z Screw locations	Accessory Recom. hand lever GN 911 for z l ₄	⚖️
GN 194-V20-B20-50-2-*	V 20	B 20	50	120	68	46	86	M8-35	63 78	436
GN 194-V25-B25-50-2-*	V 25	B 25	50	120	68	46	86	M8-35	63 78	417
GN 194-V30-B30-50-2-*	V 30	B 30	50	120	68	46	86	M8-35	63 78	397
GN 194-V30-B30-60-2-*	V 30	B 30	60	141	79	59	101.5	M8-50	63 78	763
GN 194-V35-B35-60-2-*	V 35	B 35	60	141	79	59	101.5	M8-50	63 78	739
GN 194-V40-B40-60-2-*	V 40	B 40	60	141	79	59	101.5	M8-50	63 78	671
GN 194-V40-B40-76-2-*	V 40	B 40	76	176	98	70	127	M10-60	78 92	1100
GN 194-V45-B45-76-2-*	V 45	B 45	76	176	98	70	127	M10-60	78 92	1060
GN 194-V50-B50-76-2-*	V 50	B 50	76	176	98	70	127	M10-60	78 92	1005

GN 194-S-S

Description	s ₁ Square	s ₂ Square	k Clamping length	l ₁	l ₂	l ₃	m	z Screw locations	Accessory Recom. hand lever GN 911 for z l ₄	⚖️
GN 194-V20-V20-50-2-*	V 20	V 20	50	120	68	46	86	M8-35	63 78	419
GN 194-V25-V25-50-2-*	V 25	V 25	50	120	68	46	86	M8-35	63 78	398
GN 194-V30-V30-50-2-*	V 30	V 30	50	120	68	46	86	M8-35	63 78	376
GN 194-V30-V30-60-2-*	V 30	V 30	60	141	79	59	101.5	M8-50	63 78	753
GN 194-V35-V35-60-2-*	V 35	V 35	60	141	79	59	101.5	M8-50	63 78	710
GN 194-V40-V40-60-2-*	V 40	V 40	60	141	79	59	101.5	M8-50	63 78	700
GN 194-V40-V40-76-2-*	V 40	V 40	76	176	98	70	127	M10-60	78 92	1079
GN 194-V45-V45-76-2-*	V 45	V 45	76	176	98	70	127	M10-60	78 92	1036
GN 194-V50-V50-76-2-*	V 50	V 50	76	176	98	70	127	M10-60	78 92	975

Weight BL

